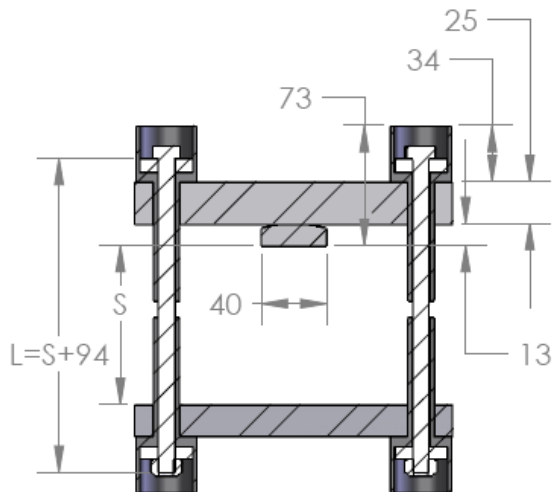
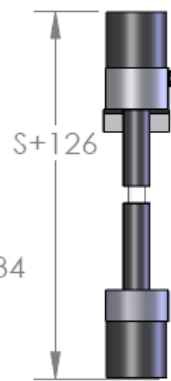
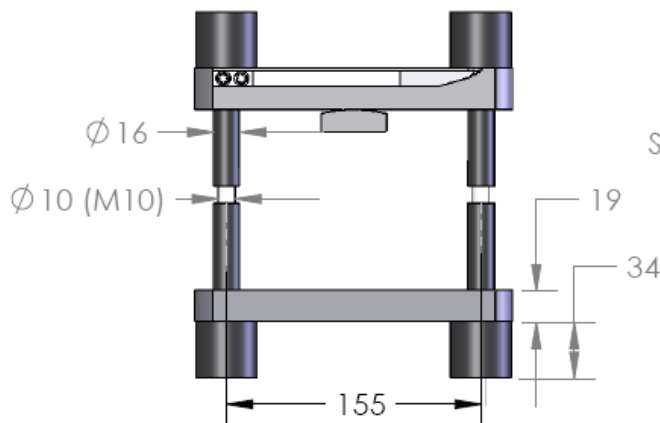
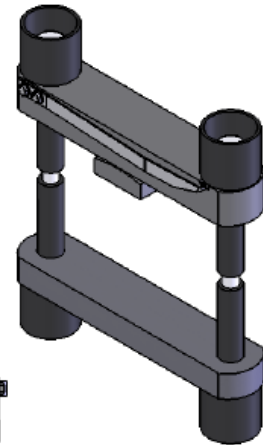
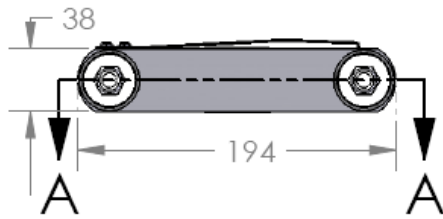


**C155A-KNS Bar Clamps**  
 WITH PRECALIBRATED FORCE  
 BOLT INTERAXYS – 155 MM  
 PRESET PRESSURES 45, 55 KN  
 MAXIMUM PUK DIAMETER – 138MM



Bolt Length Calculator		
NOTE: ALL DIMENSIONS ARE IN MM		
L	S MN	S MAX
160	52	66
170	62	76
180	72	86
190	82	96
200	92	106
210	102	116
220	112	126



ORDERING INFORMATION EXAMPLE: C155A-45KNS-200

CLAMP MODEL  $\uparrow$   $\uparrow$  BOLT LENGTH= 200MM  
 PRECALIBRATED CLAMPING FORCE = 45KN  $\uparrow$  Note: Additional Bolt Lengths Available